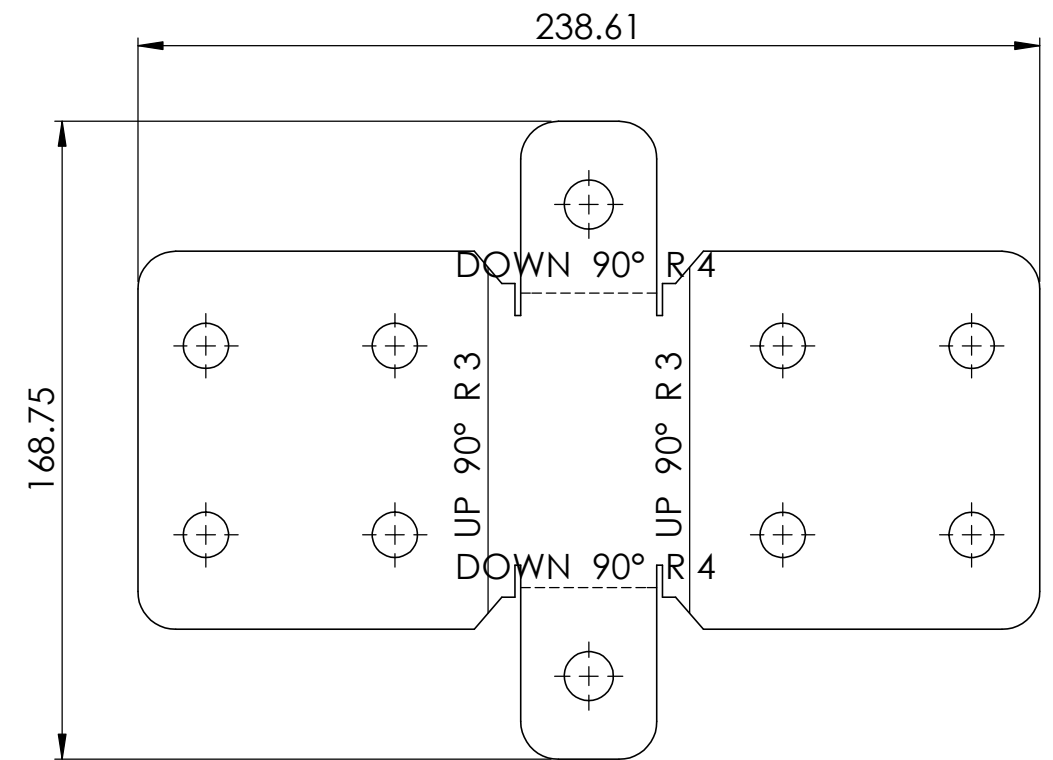
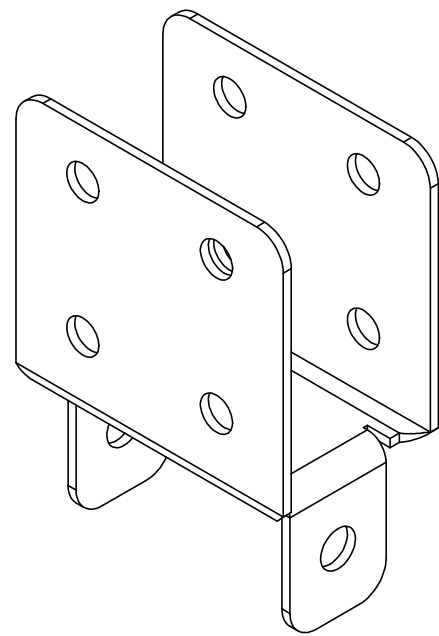
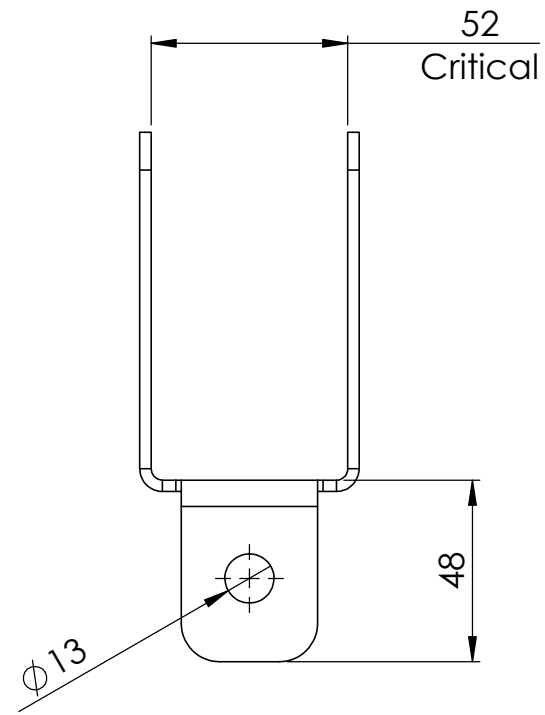
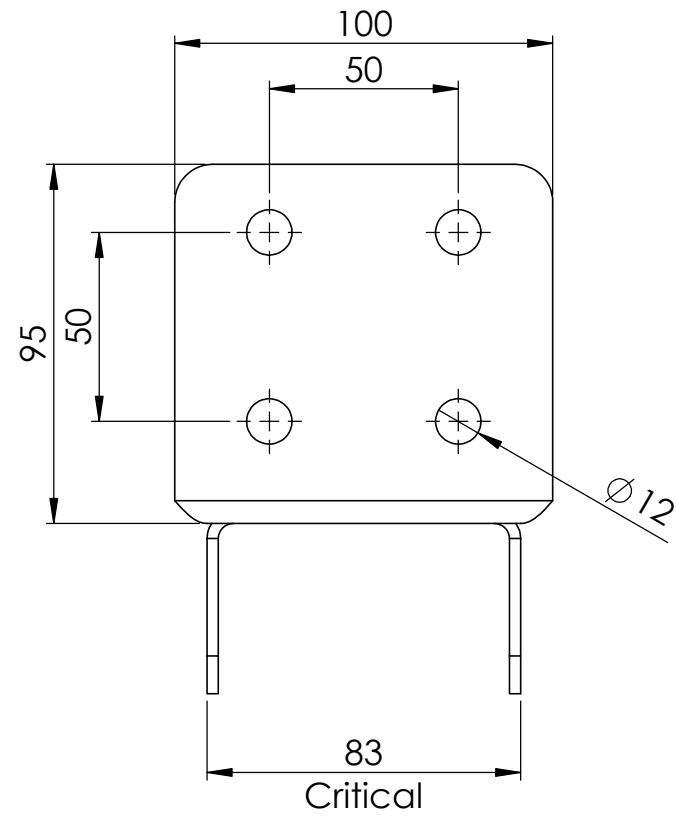


Post To Bearer Bracket - 100x50x6

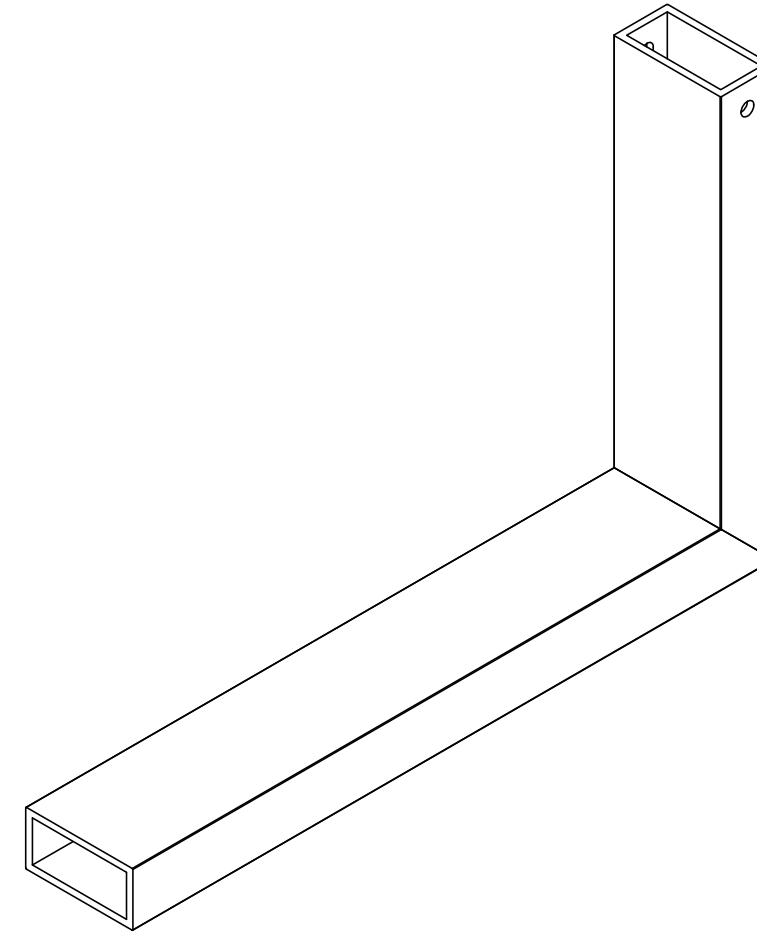
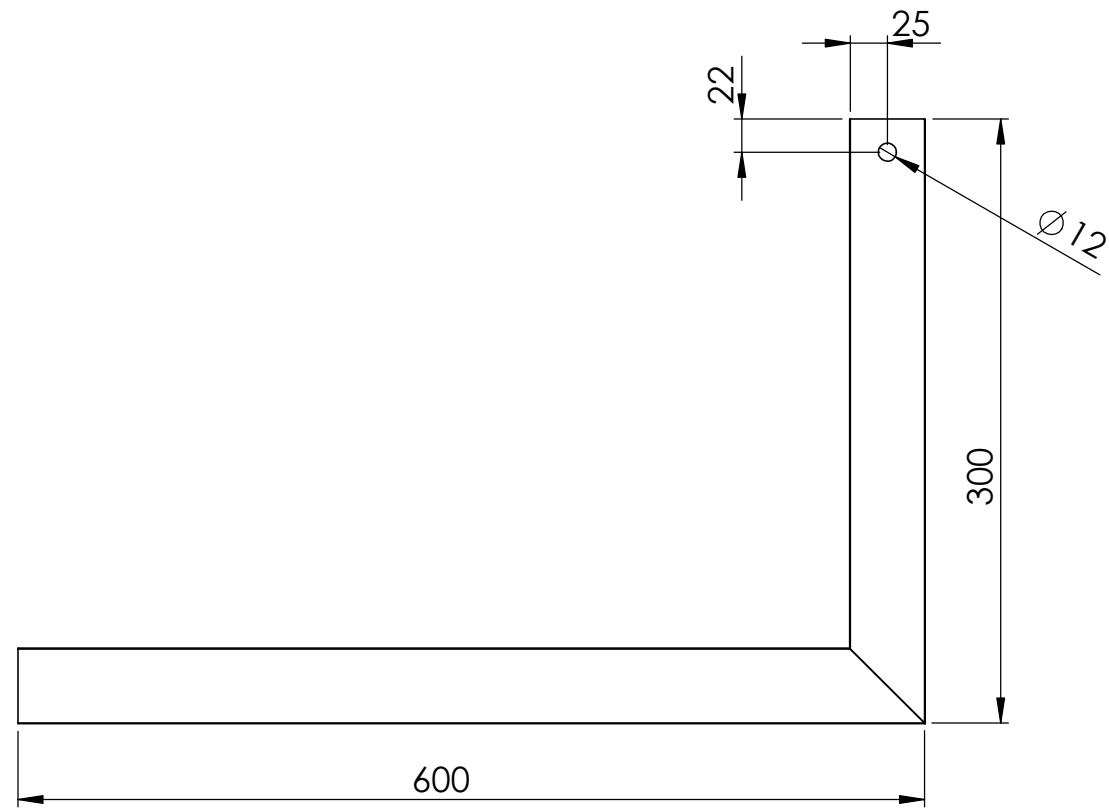
Part No.



		Description and Notes: Post To Bearer Bracket - 100x50x6	Material: 3mm Galv	Vendor:	Weight (Kg):	Date: Sheet: 1 of 2
			Finish:	Vendor Ref:	Area (m2):	Units: Metric (mm & Kg) Scale: N/A

Soffit L bracket

Part No.



ITEM NO.	QTY.	DESCRIPTION	LENGTH
1	1	100x50x6.0 RHS	600
2	1	100x50x6.0 RHS	300

		Description and Notes: Soffit L bracket	Material: RHS 100 x 50 x 6	Vendor:	Weight (Kg):	Date:	
			Finish:	Vendor Ref:	Area (m2):	Units: Metric (mm & Kg)	Drawing No.
						Sheet: 2 of 2	
						Scale: N/A	