

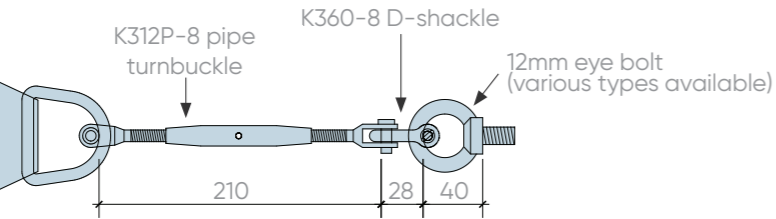
Standard Corner Fittings.

Webbing Edge Shade Sail

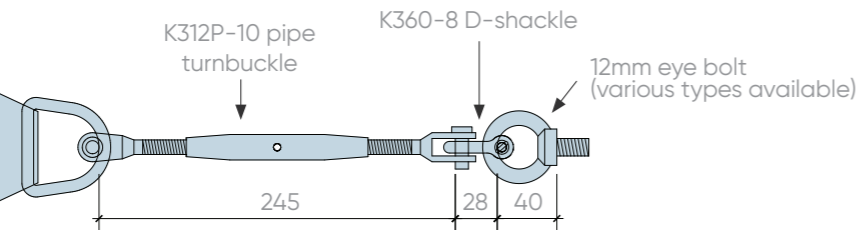
The guide below shows the fittings we suggest using to fix and tension your Webbing Edge Shade Sail. There are many different types of fitting options and sizes available. These fittings will not suit every application.

Note: This is an indicative guide and is not certified by a structural engineer.

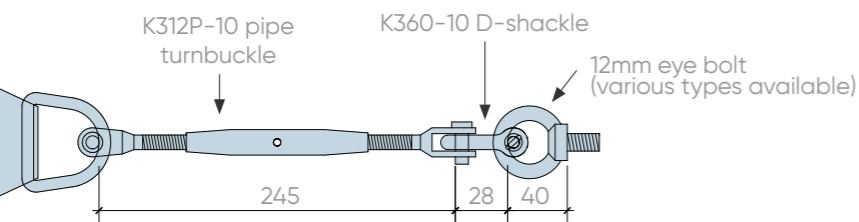
SMALL Shade Sails (9m - 17.99m perimeter)



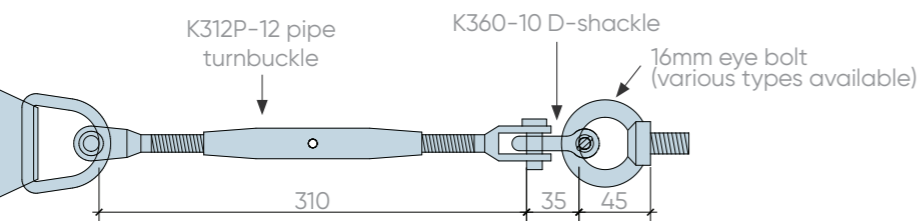
SMALL / MEDIUM Shade Sails (18m - 24.99m perimeter)



MEDIUM Shade Sails (25m - 31.99m perimeter)



LARGE Shade Sails (32m - 41.99m perimeter)



EXTRA LARGE Shade Sails (over 42m perimeter)

Fittings for extra large shade sails should be selected carefully. If you are unsure, seek professional advice, we are always happy to help.

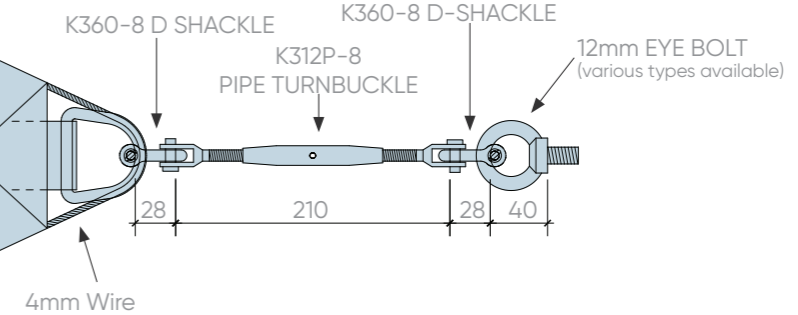
Standard Corner Fittings.

Wire Edge Shade Sail

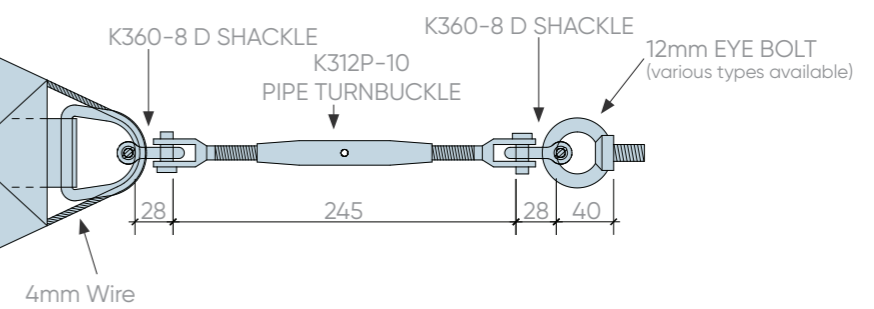
The guide below shows the fittings we suggest using to fix and tension your Wire Edge Shade Sail. There are many different types of fitting options and sizes available. These fittings will not suit every application.

Note: This is an indicative guide and is not certified by a structural engineer.

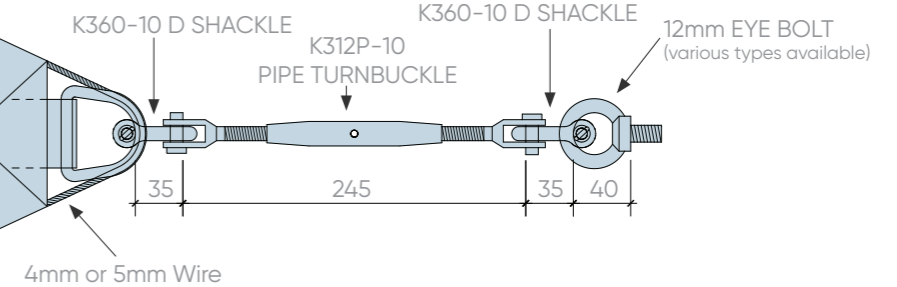
SMALL Shade Sails (9m - 17.99m perimeter)



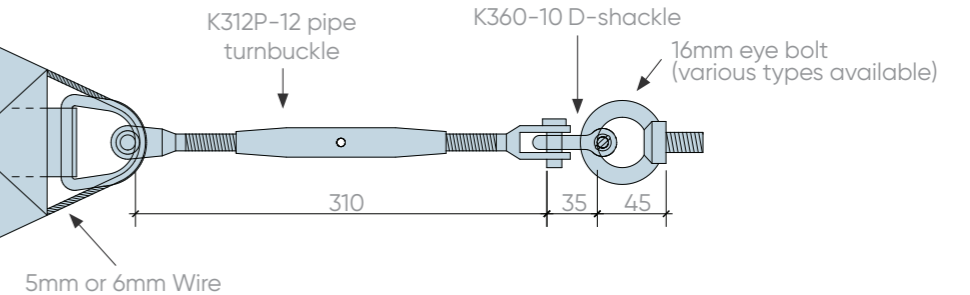
SMALL / MEDIUM Shade Sails (18m - 24.99m perimeter)



MEDIUM Shade Sails (25m - 31.99m perimeter)



LARGE Shade Sails (32m - 41.99m perimeter)



EXTRA LARGE Shade Sails (over 42m perimeter)

Fittings for extra large shade sails should be selected carefully. If you are unsure, seek professional advice, we are always happy to help.

Other Corner Fittings.

The guide below shows the fittings we suggest using to fix and tension your Shade Sail. There are many different types of fitting options and sizes available. These fittings will not suit every application.

Note: This is an indicative guide and is not certified by a structural engineer.

